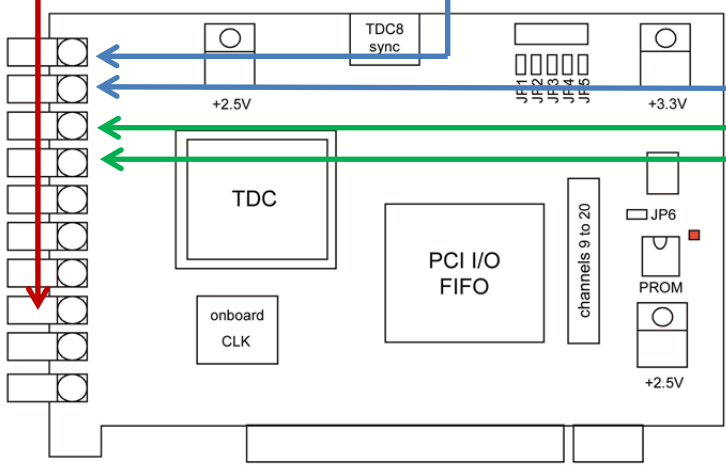


- 1 - x1
- 2 - x2
- 3 - y1
- 4 - y2
- 5
- 6
- 7
- 8 - MCP



**FEE2(x)
connection
scheme**